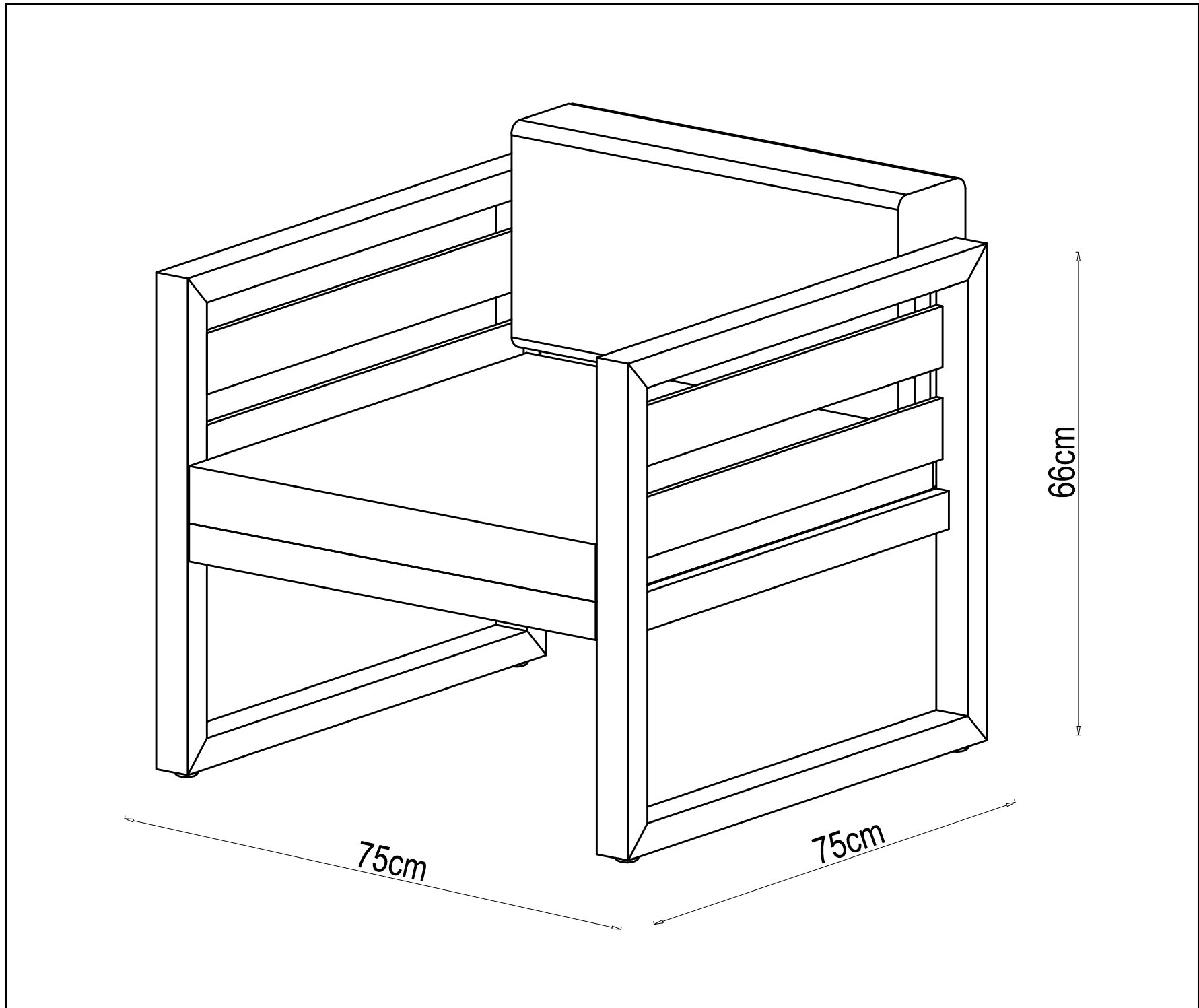


Amart

ASSEMBLY INSTRUCTION

HAVENCOURT 4 PIECE
OUTDOOR LOUNGE SETTING

ITEM CODE - 75209

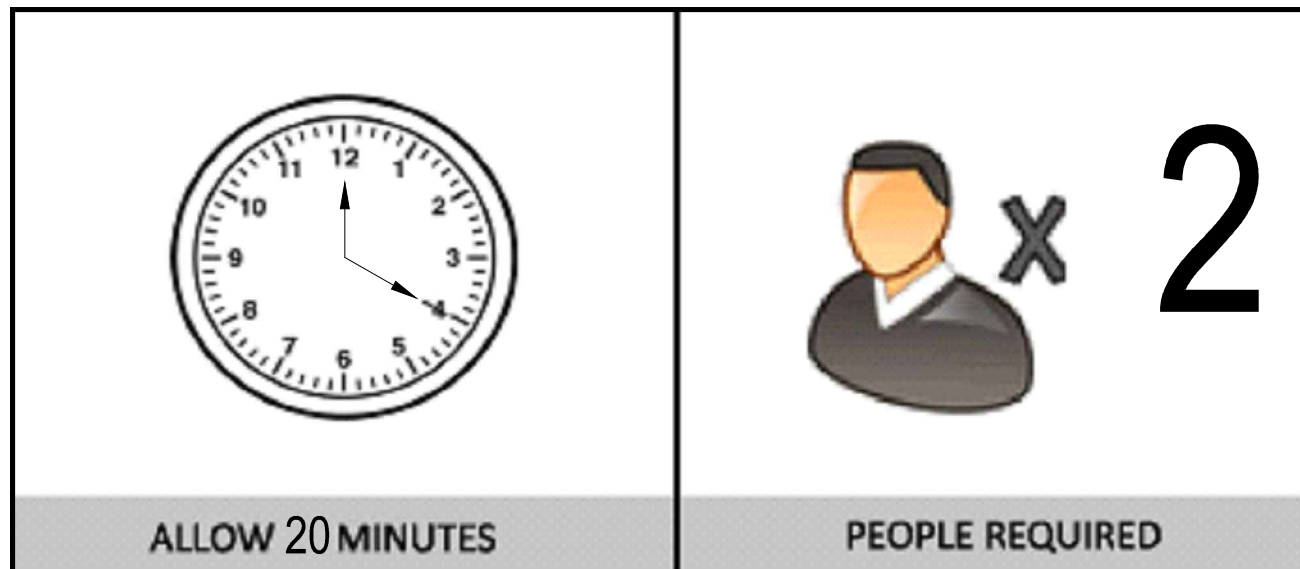


Imported by Amart Furniture Pty Ltd, Qld, Brisbane Australia .
For any assistance with assembly or for missing parts please phone
Amart Furniture, Customer Service Freecall 1800 351 084

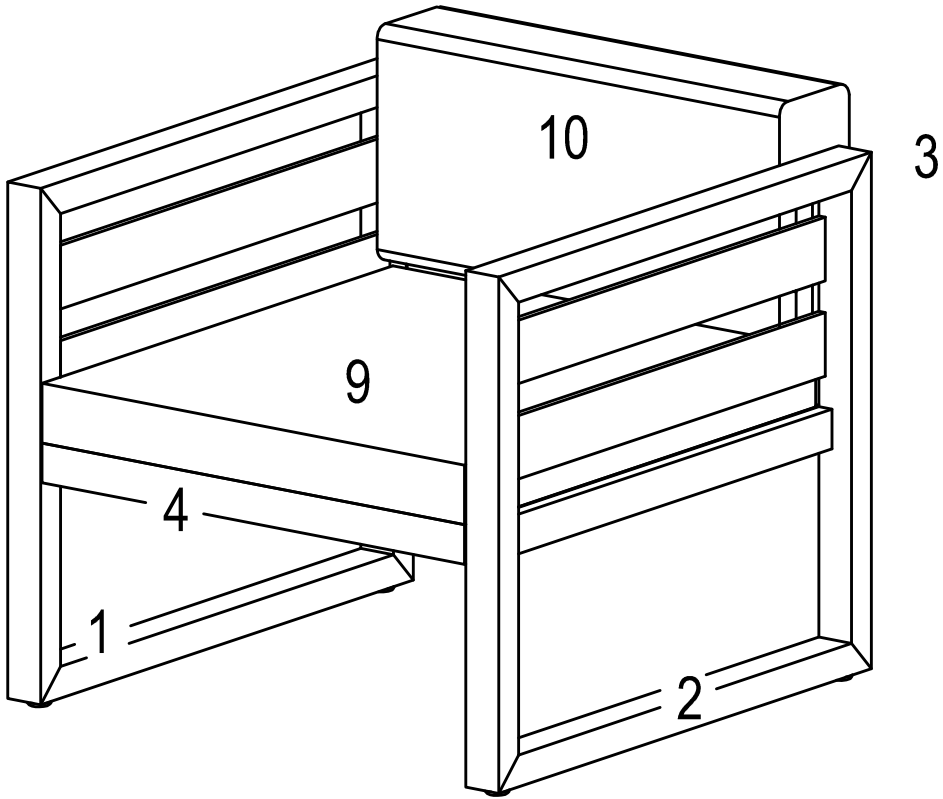
PRE-ASSEMBLY PREPARATION

Before you start:

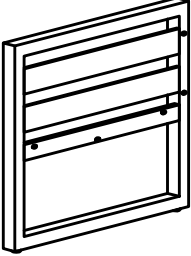
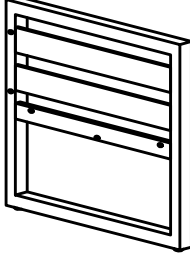
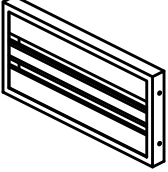

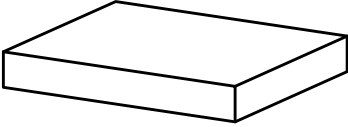
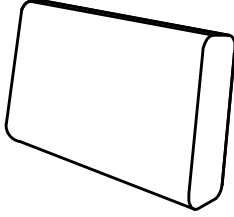
1. Choose a clean, level, spacious assembly area. Avoid hard surfaces that may damage the product.
2. Take care when lifting. Product should be assembled as near as possible to the point of use.
3. Ensure that you have all required contents for complete assembly.
4. Always read the assembly instructions carefully before beginning assembly.
5. Keep all hardware parts and packaging out of reach of small children.
6. Do not over tighten the screws and bolts as this may damage the threads.


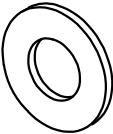
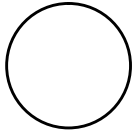
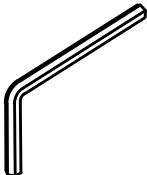


PARTS LIST



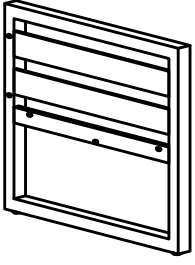

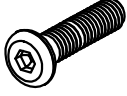
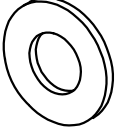
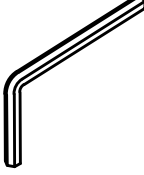
X 2

1. Right Arm		2PCS	2. Left Arm		2PCS
3. Backrest		2PCS	4. Seat		2PCS
9. Seat Cushion		2PCS	10. Back Cushion		2PCS

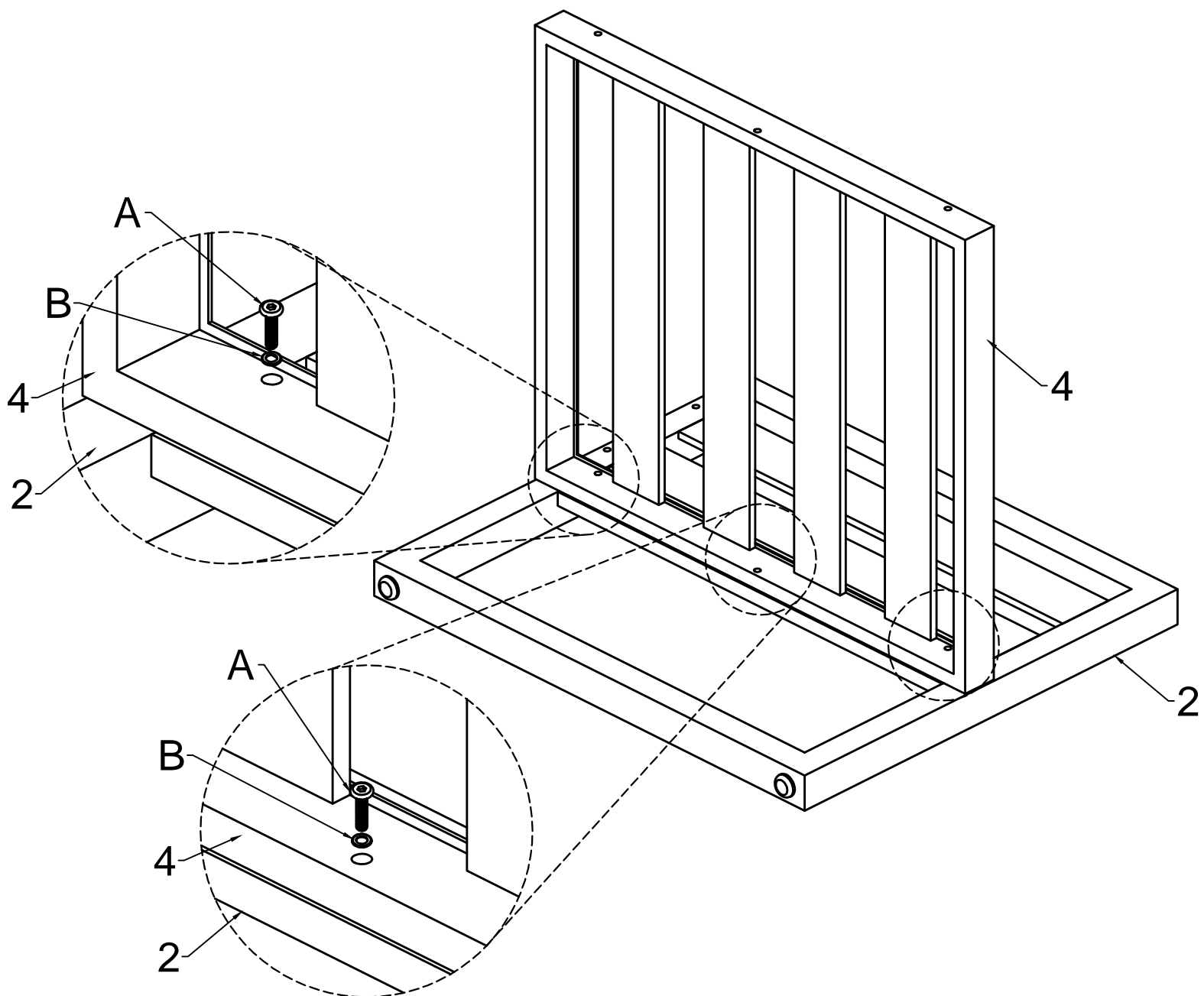
A. Bolt	B. Washer	C. Protective Pad	D. Allen Key
			
M6*35*20PCS	M6*20PCS	8PCS	M6*1PC

Step 1:

ITEMS REQUIRED

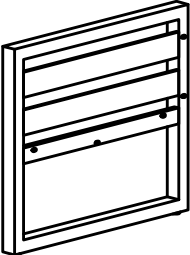
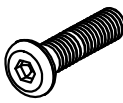
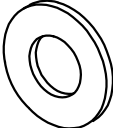
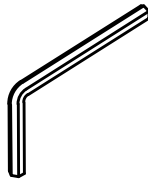
2.	Left Arm	1PC	4.	Seat	1PC
					
A.	Bolt		B.	Washer	
					
M6*35*3PCS		M6*3PCS			
			D.	Allen Key	
					
				M6*1PC	

- Attach left arm (2) to seat (4) using bolt (A) with washer (B) .
- Insert all bolts before fully tightening with allen key (D) .

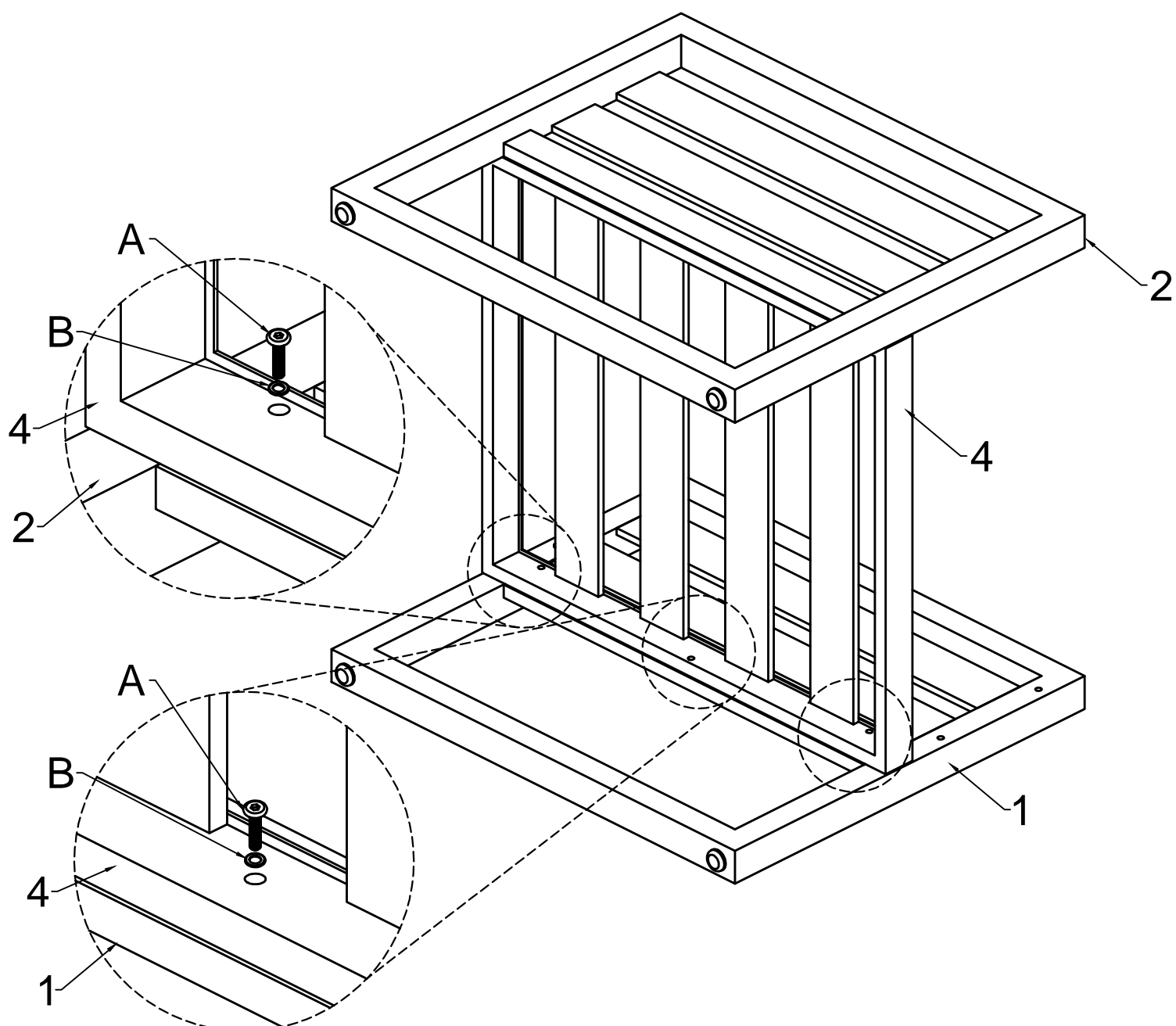


Step 2:

ITEMS REQUIRED

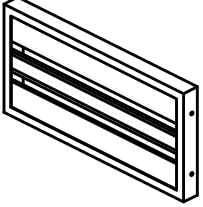
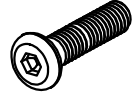
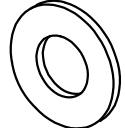
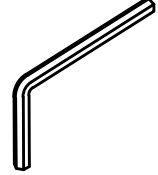
1. Right Arm 1PC 		
A. Bolt  M6*35*3PCS	B. Washer  M6*3PCS	D. Allen Key  M6*1PC

- Attach right arm (1) to seat (4) using bolt (A) with washer (B) .
- Insert all bolts before fully tightening with allen key (D) .

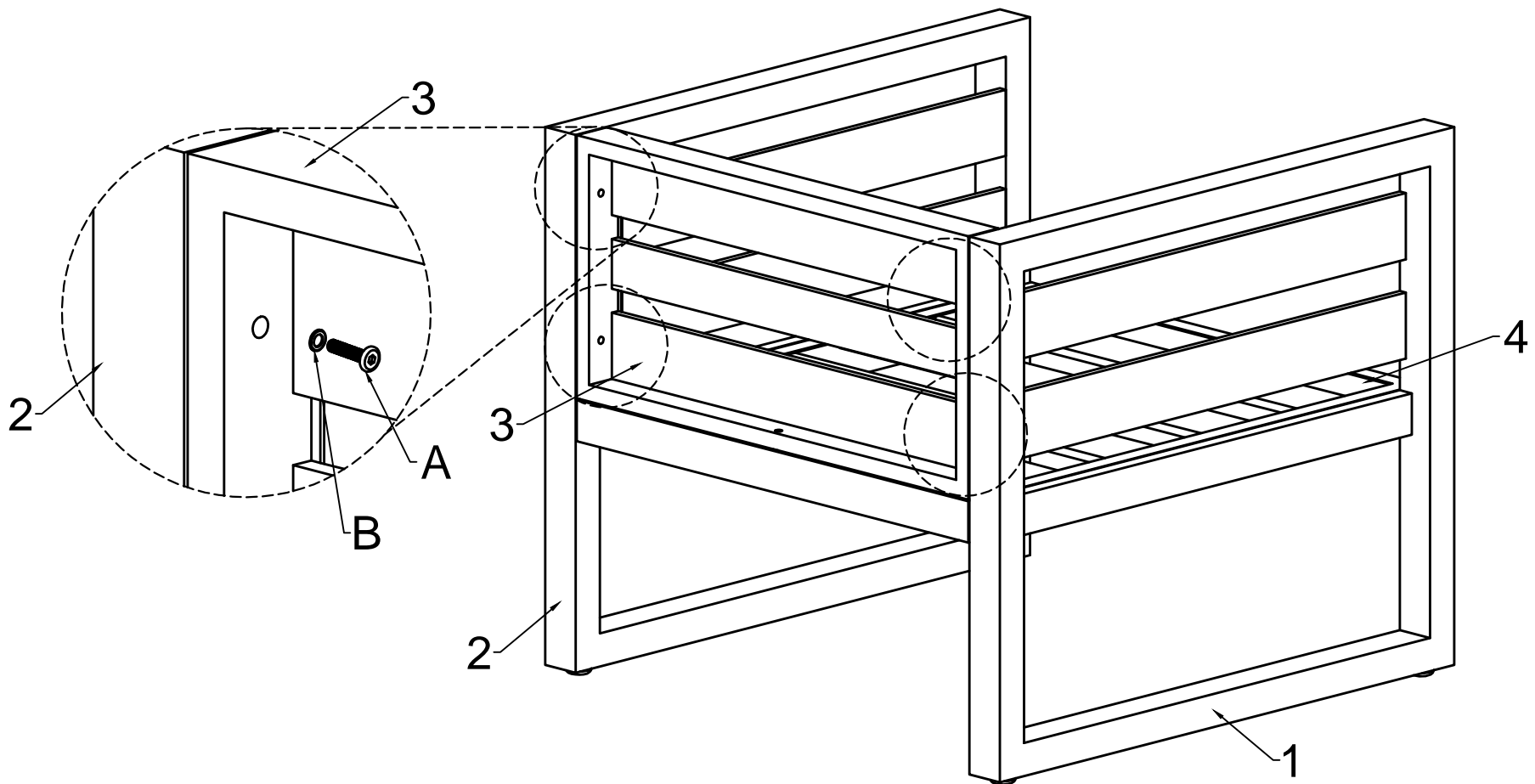


Step 3:

ITEMS REQUIRED

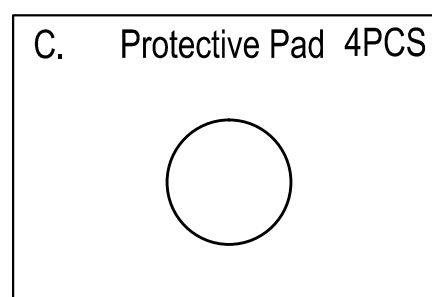
3. Backrest 1PC 		
A. Bolt  M6*35*4PCS	B. Washer  M6*4PCS	D. Allen Key  M6*1PC

- Attach backrest (3) to left arm (2) and right arm (1) using bolt (A) with washer (B) .
- Insert all bolts before fully tightening with allen key (D) .

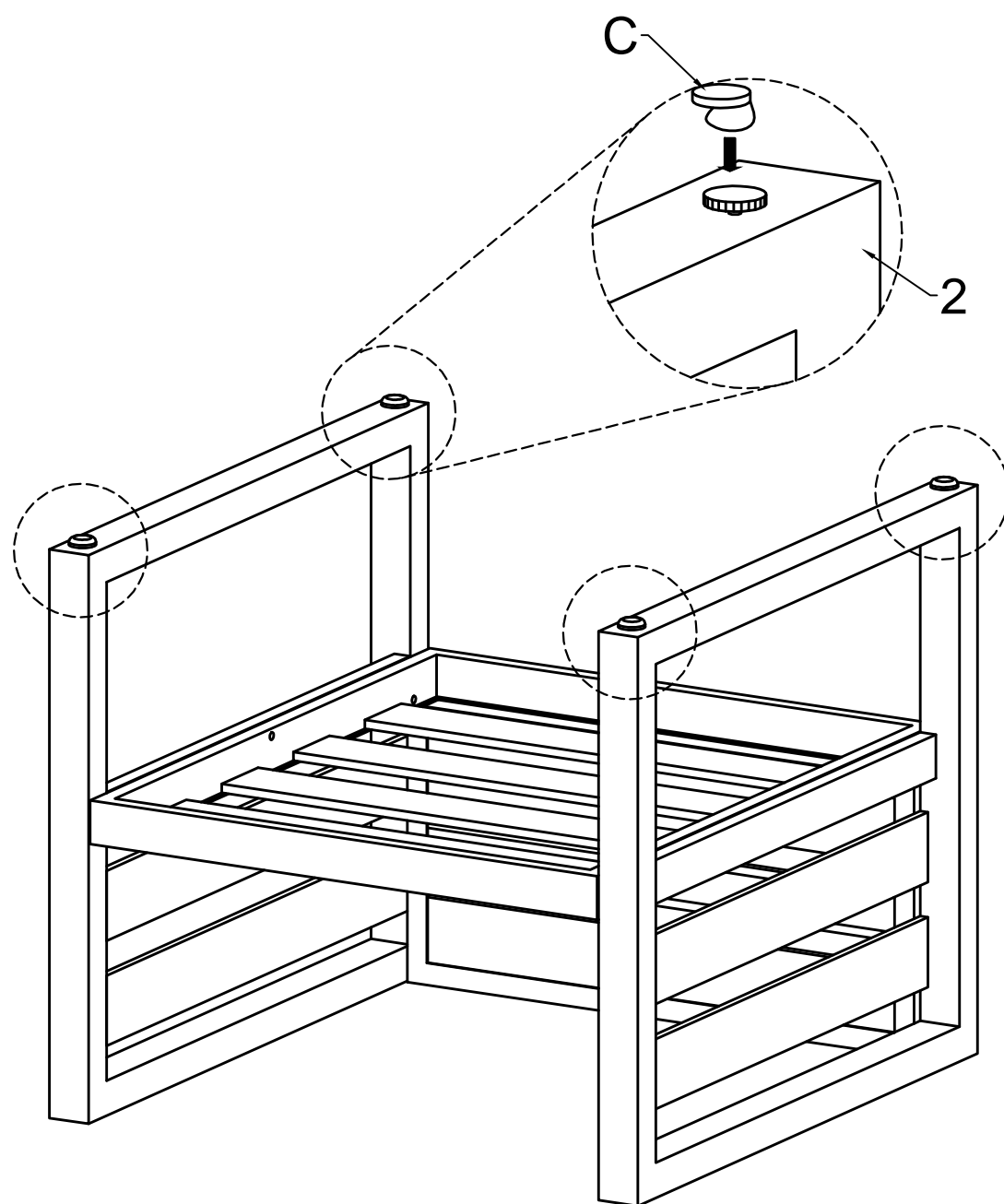


Step 4:

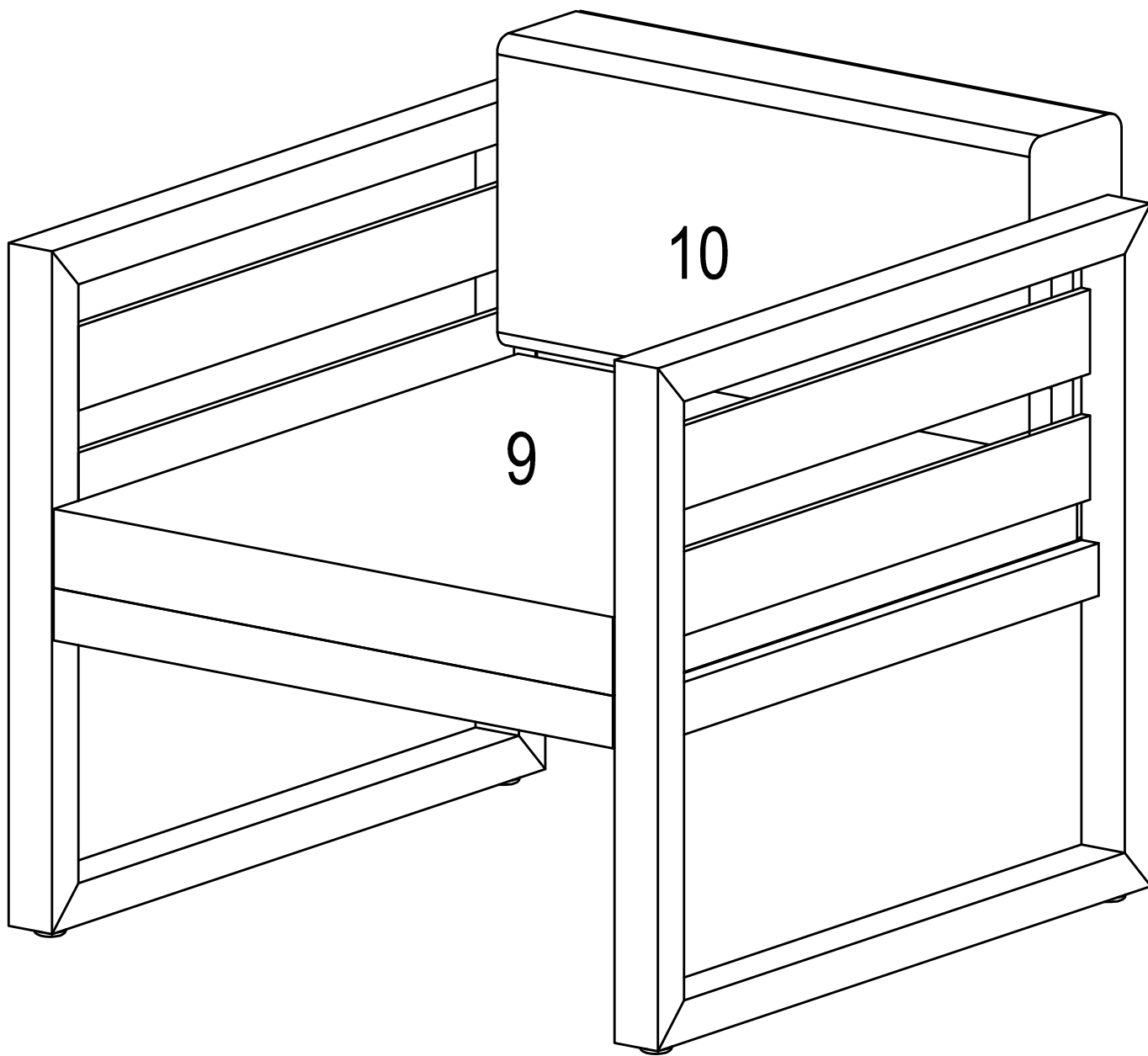
ITEMS REQUIRED

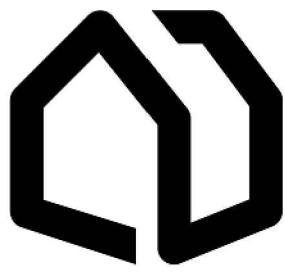


- Attach the protective pad (C) under the adjusting knob.



ASSEMBLY IS COMPLETE



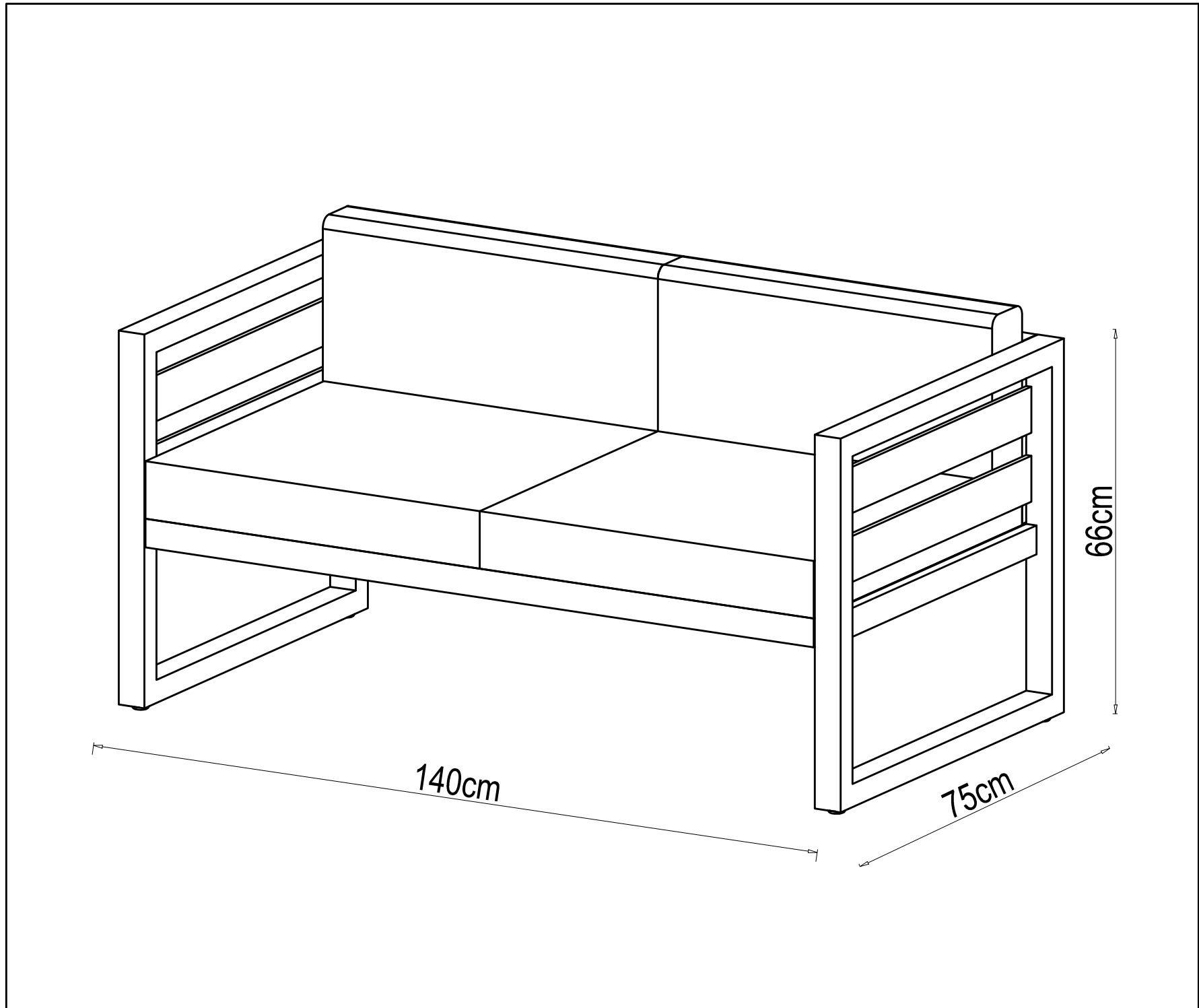


Amart

ASSEMBLY INSTRUCTION

HAVENCOURT 4 PIECE
OUTDOOR LOUNGE SETTING

ITEM CODE - 75209

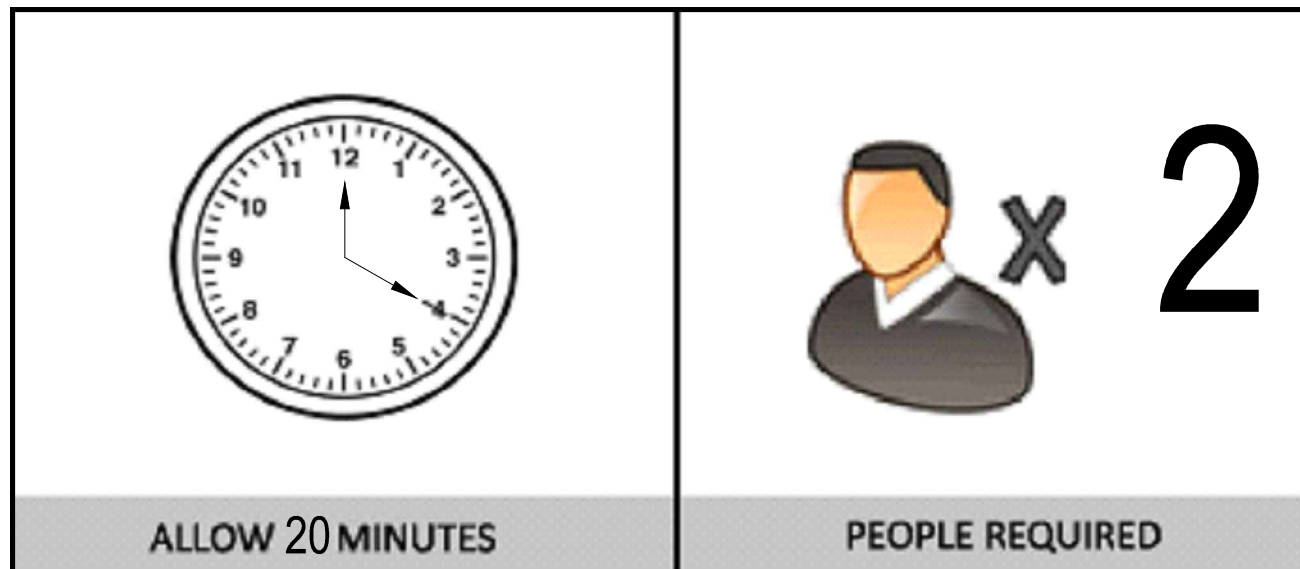


Imported by Amart Furniture Pty Ltd, Qld, Brisbane Australia .
For any assistance with assembly or for missing parts please phone
Amart Furniture, Customer Service Freecall 1800 351 084

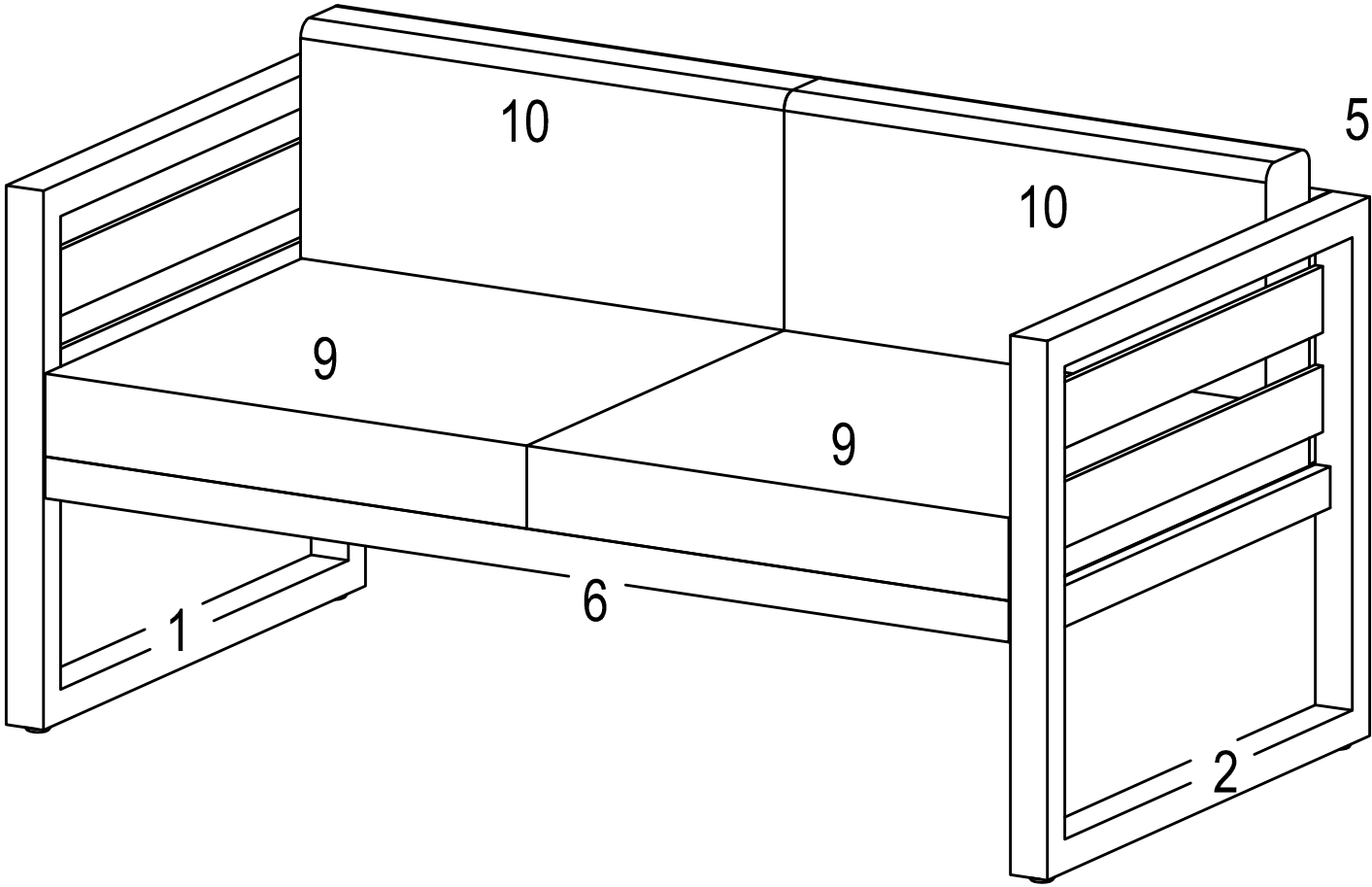
PRE-ASSEMBLY PREPARATION

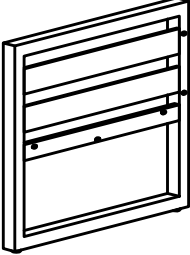
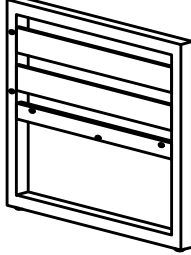

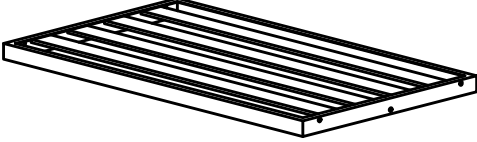
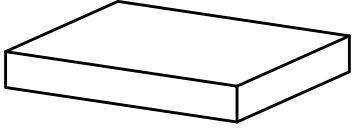
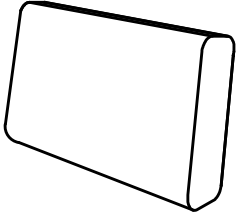
Before you start:


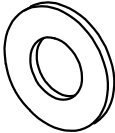
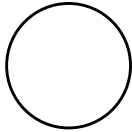
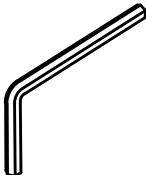
1. Choose a clean, level, spacious assembly area. Avoid hard surfaces that may damage the product.
2. Take care when lifting. Product should be assembled as near as possible to the point of use.
3. Ensure that you have all required contents for complete assembly.
4. Always read the assembly instructions carefully before beginning assembly.
5. Keep all hardware parts and packaging out of reach of small children.
6. Do not over tighten the screws and bolts as this may damage the threads.



PARTS LIST

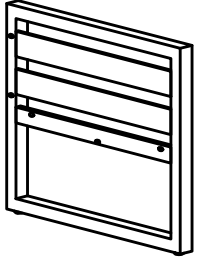
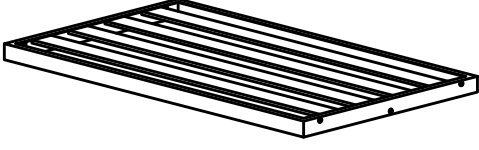
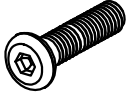
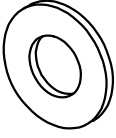
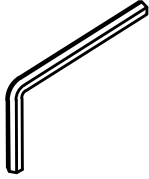


1. Right Arm		1PC	2. Left Arm		1PC
5. Backrest		1PC	6. Seat		1PC
9. Seat Cushion		2PCS	10. Back Cushion		2PCS

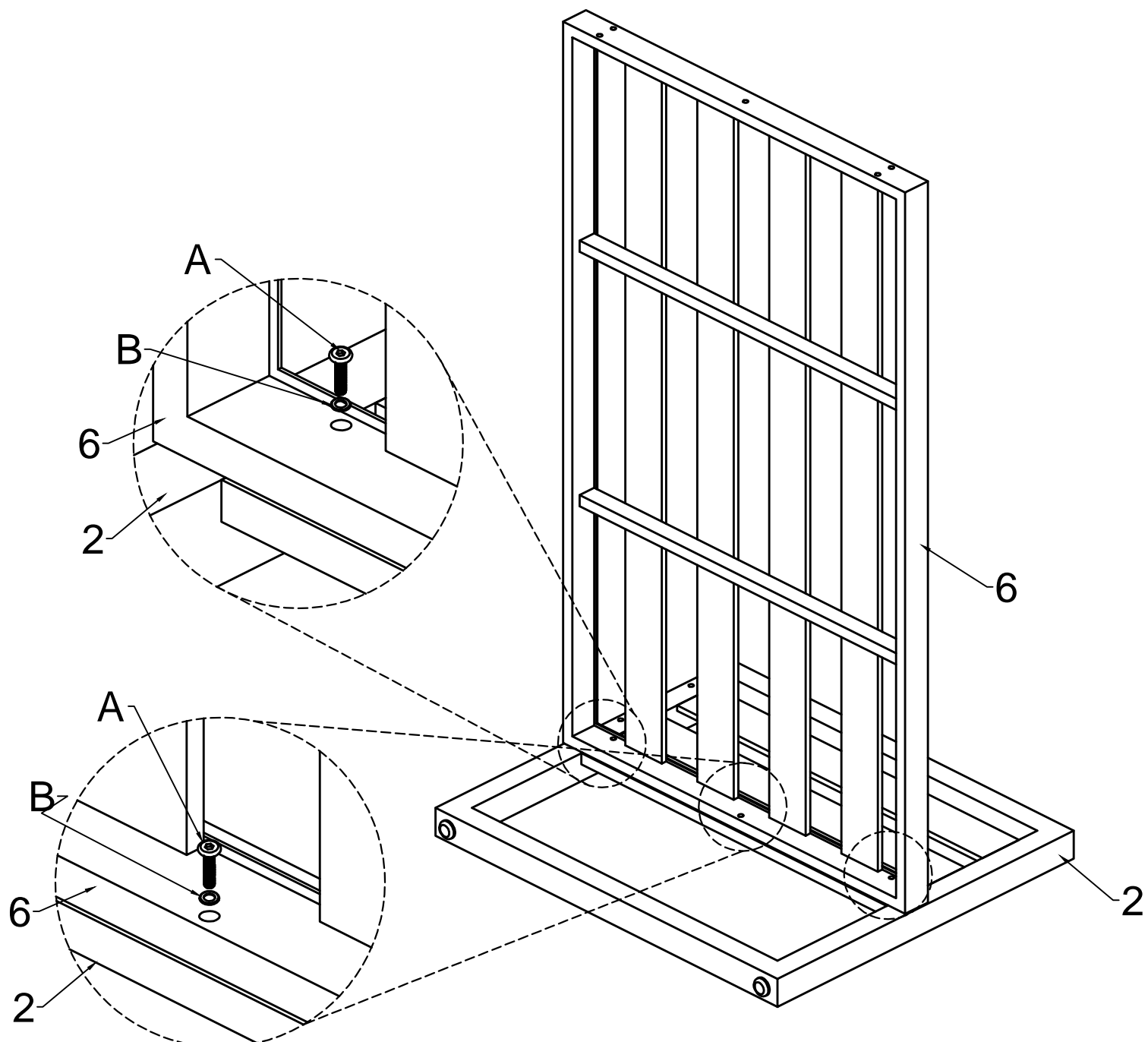
A. Bolt	B. Washer	C. Protective Pad	D. Allen Key
			
M6*35*10PCS	M6*10PCS	4PCS	M6*1PC

Step 1:

ITEMS REQUIRED

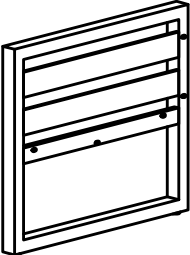
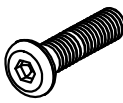
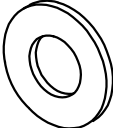
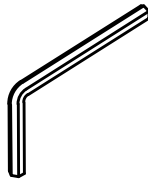
2.	Left Arm	1PC	6.	Seat	1PC
					
A.	Bolt		B.	Washer	
					
M6*35*3PCS		M6*3PCS			
			D.	Allen Key	
					
				M6*1PC	

- Attach left arm (2) to seat (6) using bolt (A) with washer (B) .
- Insert all bolts before fully tightening with allen key (D) .

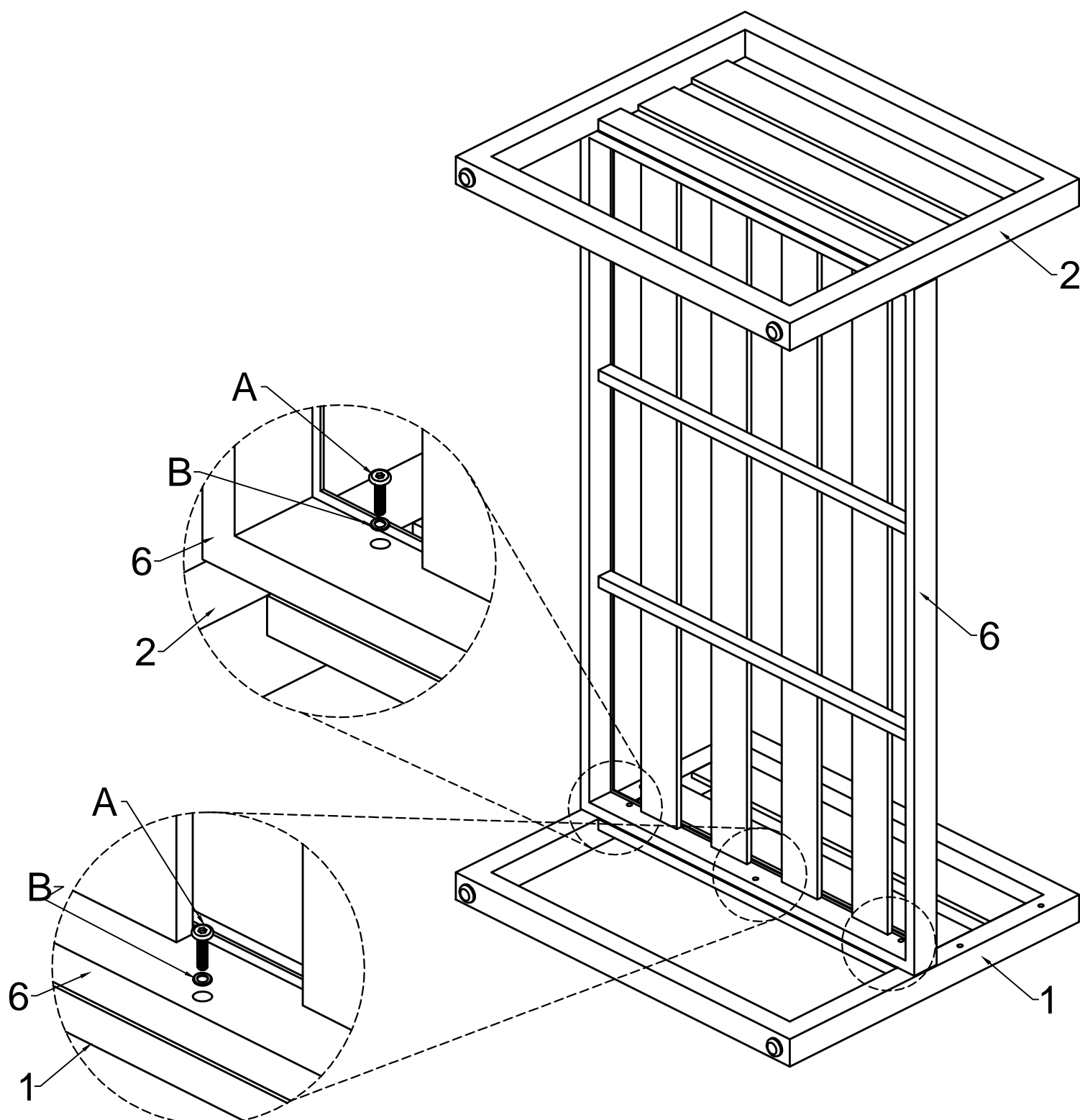


Step 2:

ITEMS REQUIRED


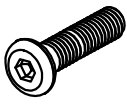
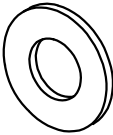
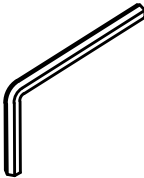
1. Right Arm 1PC 		
A. Bolt  M6*35*3PCS	B. Washer  M6*3PCS	D. Allen Key  M6*1PC

- Attach right arm (1) to seat (6) using bolt (A) with washer (B) .
- Insert all bolts before fully tightening with allen key (D) .

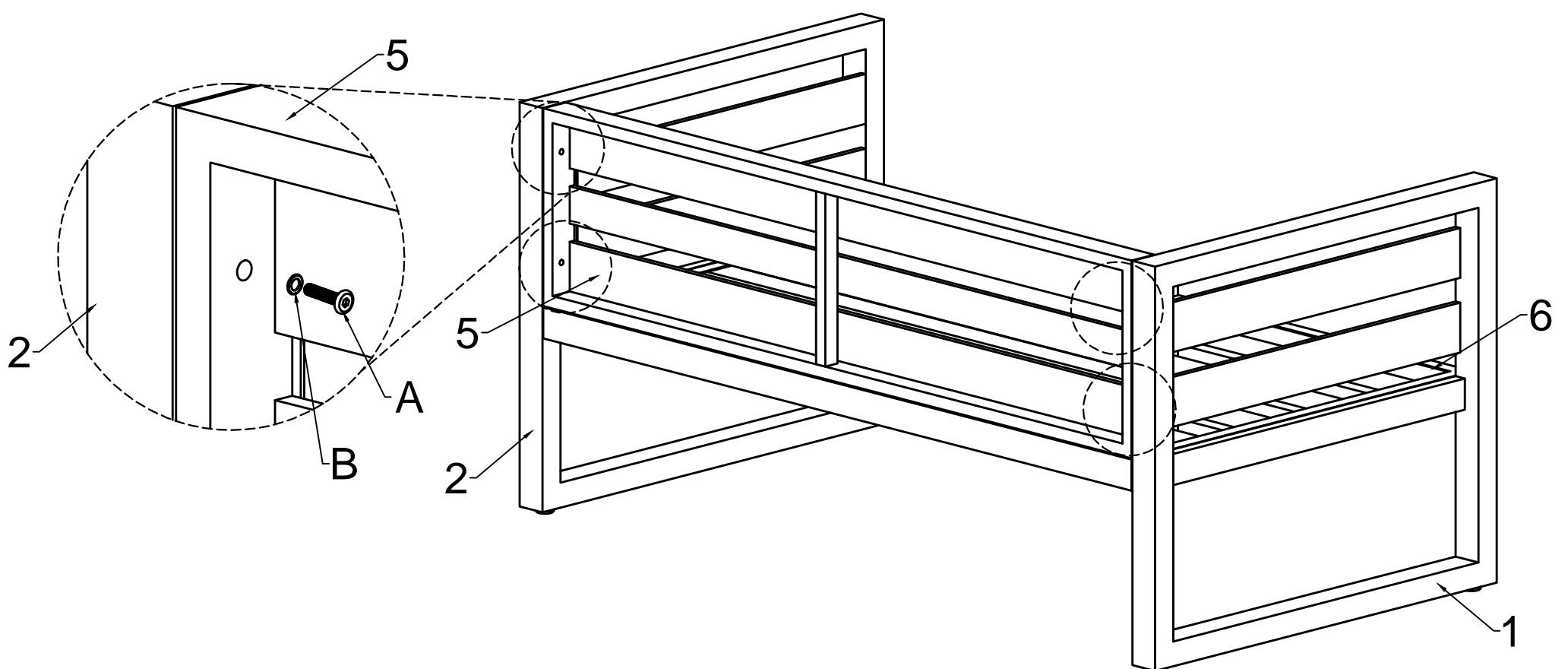


Step 3:

ITEMS REQUIRED

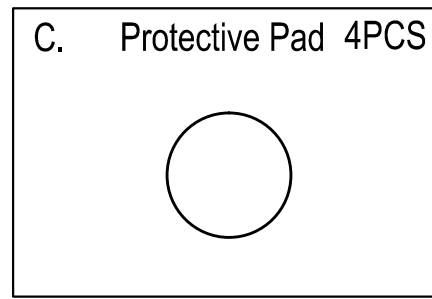
5. Backrest 1PC 		
A. Bolt  M6*35*4PCS	B. Washer  M6*4PCS	D. Allen Key  M6*1PC

- Attach backrest (5) to left arm (2) and right arm (1) using bolt (A) with washer (B) .
- Insert all bolts before fully tightening with allen key (D) .

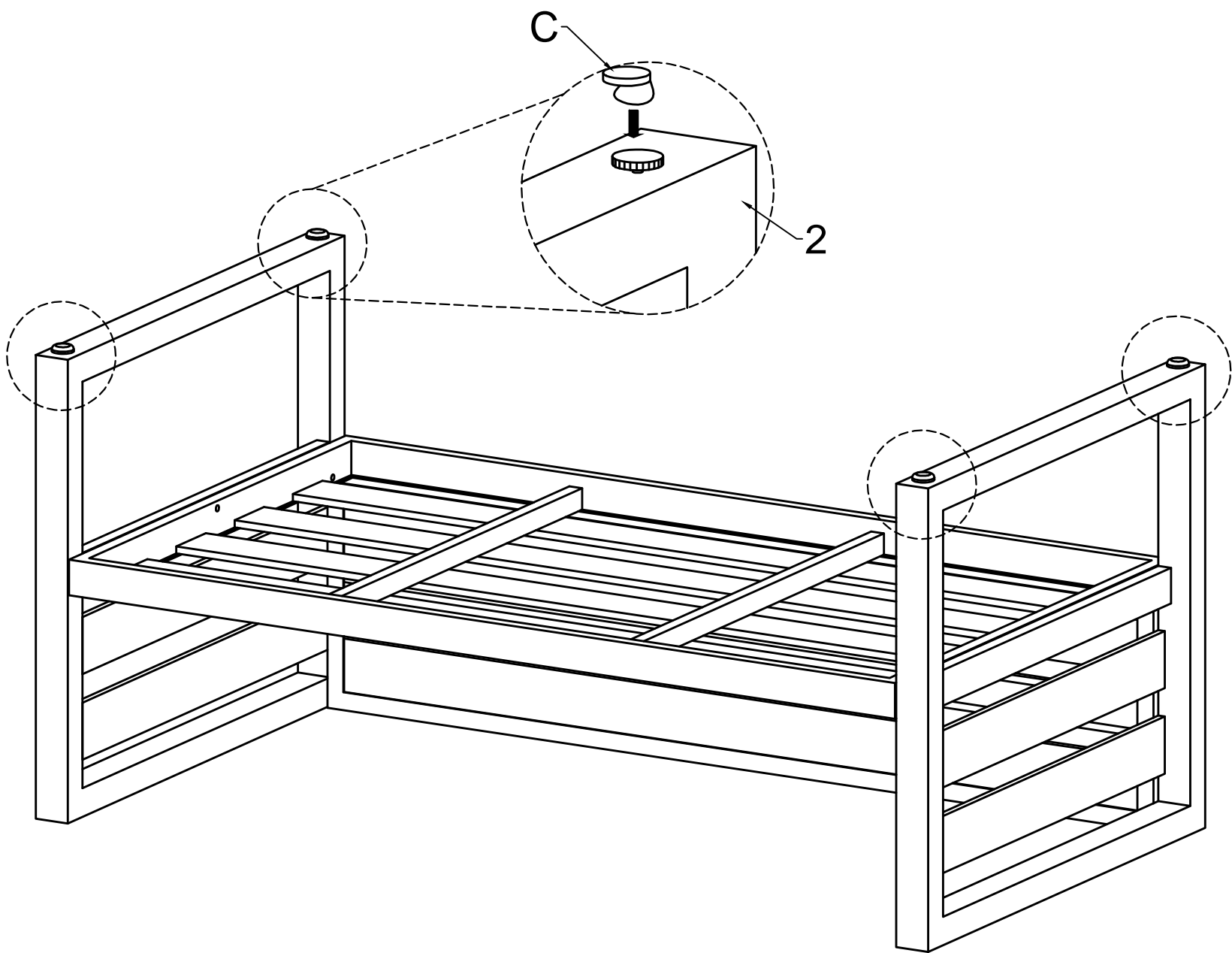


Step 4:

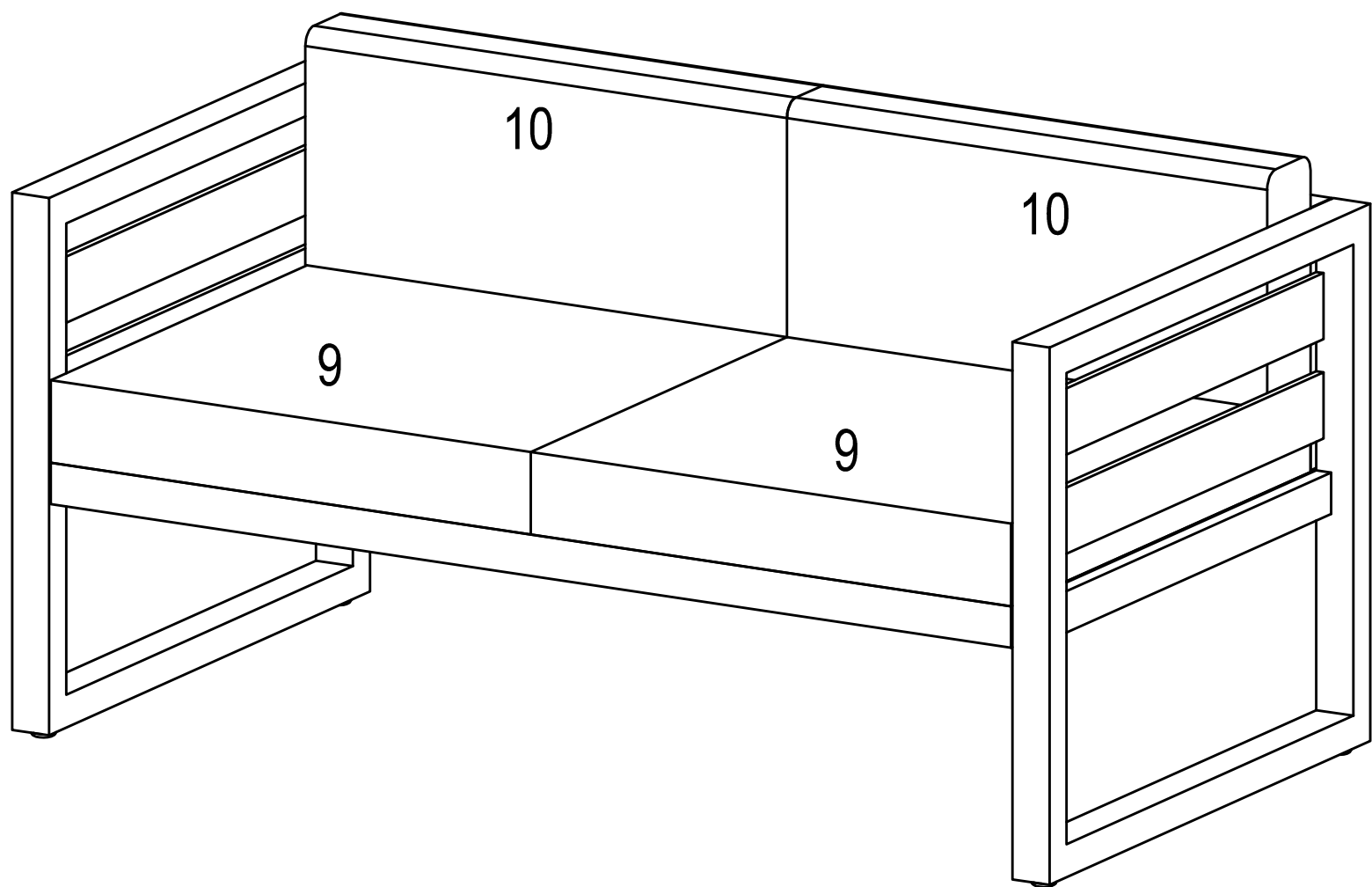
ITEMS REQUIRED

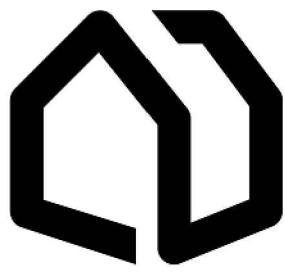


- Attach the protective pad (C) under the adjusting knob.



ASSEMBLY IS COMPLETE



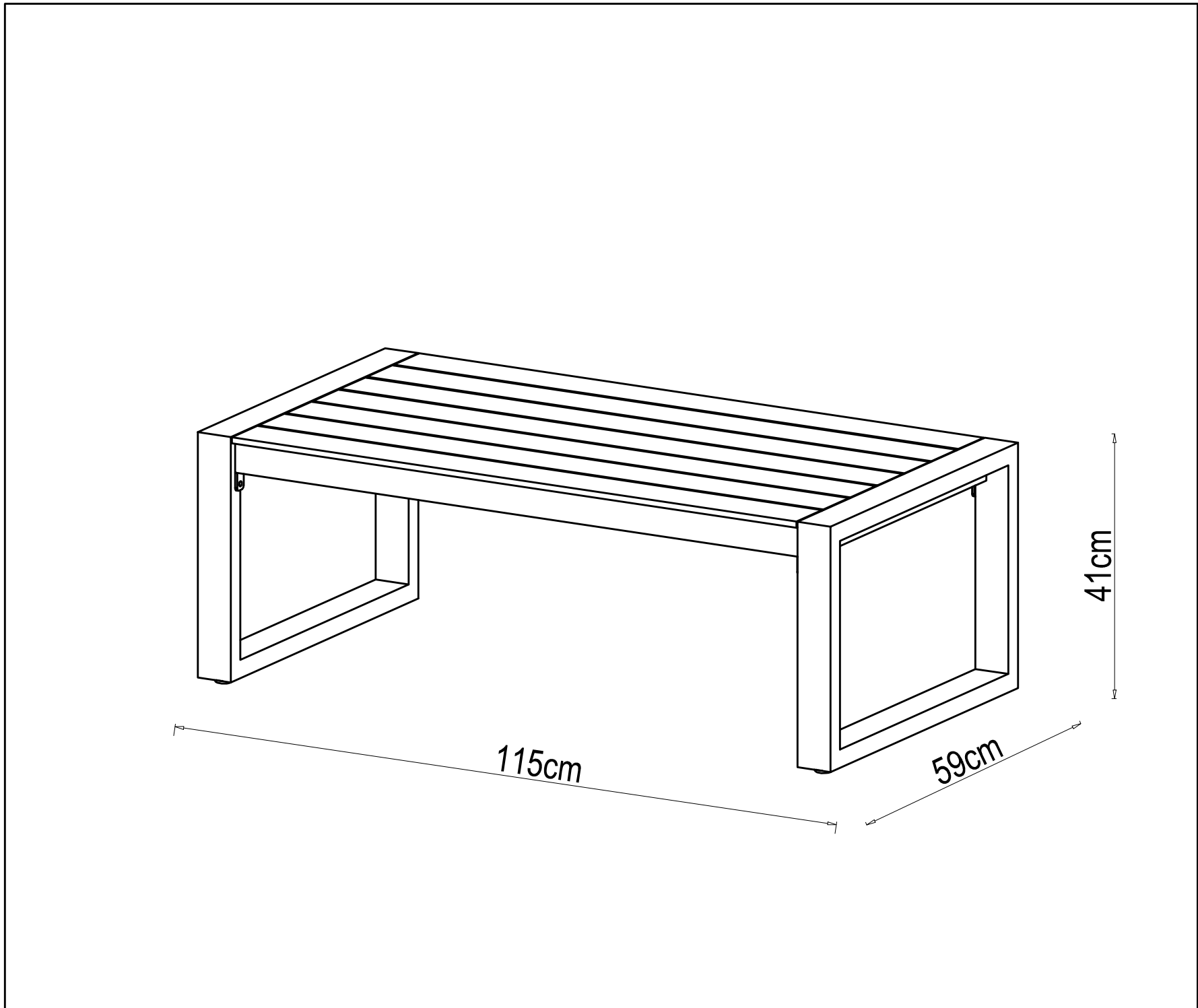


Amart

ASSEMBLY INSTRUCTION

HAVENCOURT 4 PIECE
OUTDOOR LOUNGE SETTING

ITEM CODE - 75209

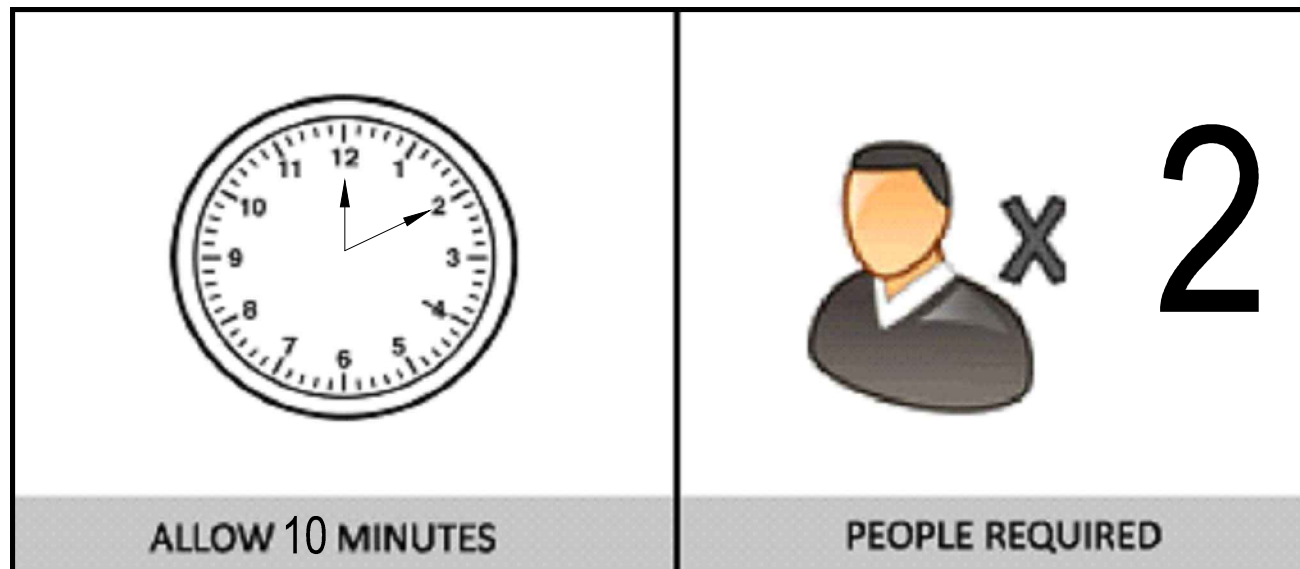


Imported by Amart Furniture Pty Ltd, Qld, Brisbane Australia .
For any assistance with assembly or for missing parts please phone
Amart Furniture, Customer Service Freecall 1800 351 084

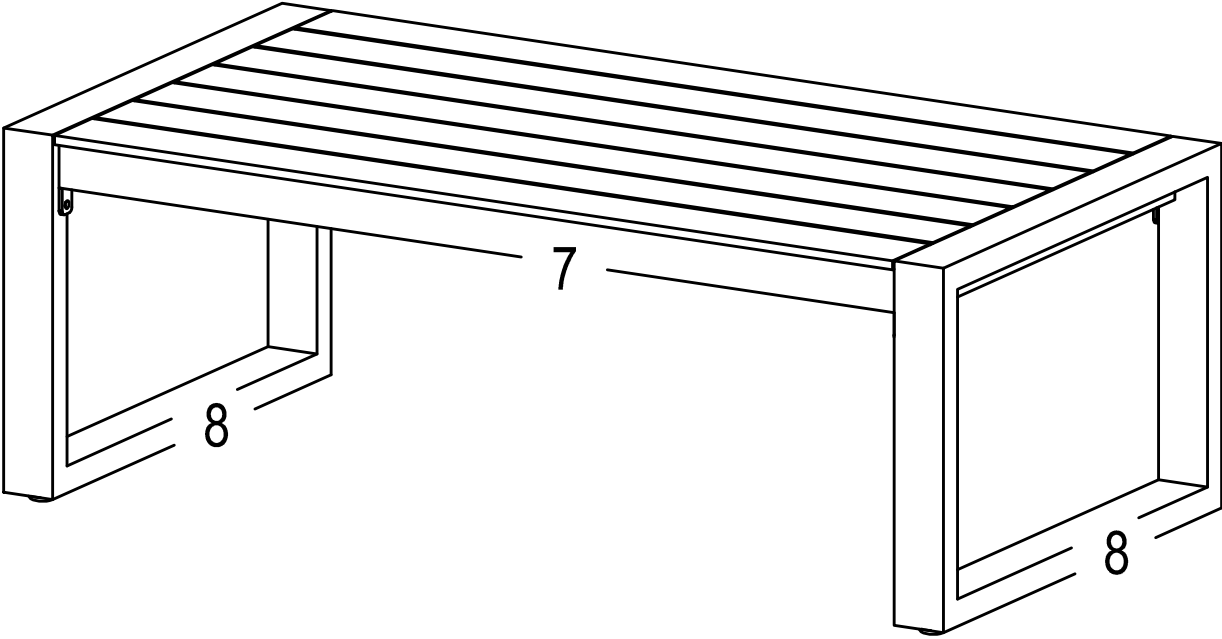
PRE-ASSEMBLY PREPARATION

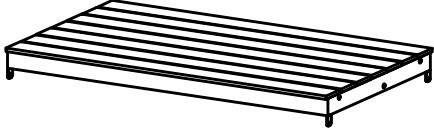
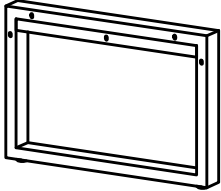
Before you start:

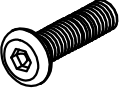
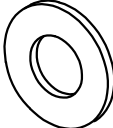
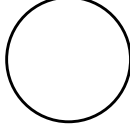
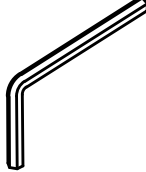

1. Choose a clean, level, spacious assembly area. Avoid hard surfaces that may damage the product.
2. Take care when lifting. Product should be assembled as near as possible to the point of use.
3. Ensure that you have all required contents for complete assembly.
4. Always read the assembly instructions carefully before beginning assembly.
5. Keep all hardware parts and packaging out of reach of small children.
6. Do not over tighten the screws and bolts as this may damage the threads.



PARTS LIST

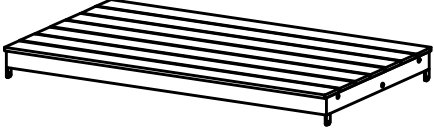
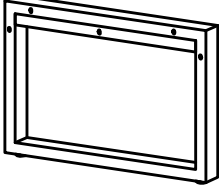
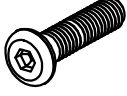
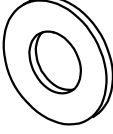
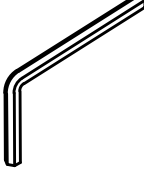


<p>7. Table Top</p>  <p>1PC</p>	<p>8. Legs</p>  <p>2PCS</p>
--	--

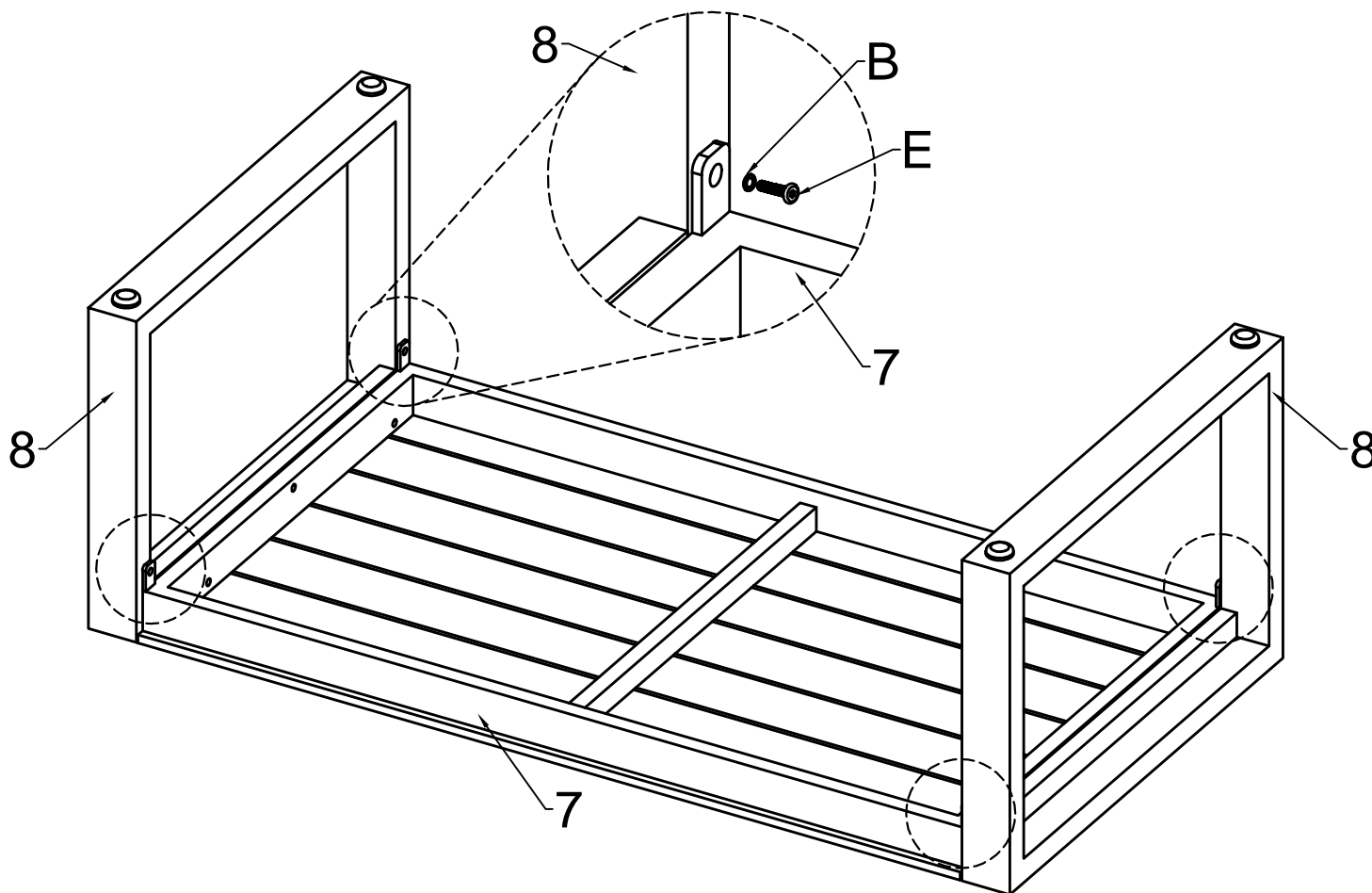
<p>A. Bolt</p>  <p>M6*35*6PCS</p>	<p>B. Washer</p>  <p>M6*10PCS</p>	<p>C. Protective Pad</p>  <p>4PCS</p>	<p>D. Allen Key</p>  <p>M6*1PC</p>
<p>E. Bolt</p>  <p>M6*20*4PCS</p>			

Step 1:

ITEMS REQUIRED

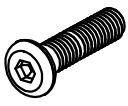
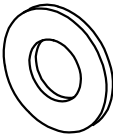
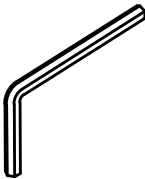
7.	Table Top	1PC	8.	Legs	2PCS
					
E.	Bolt		B.	Washer	
					
M6*20*4PCS		M6*4PCS			
			D.	Allen Key	
					
				M6*1PC	

- Attach legs (8) to table top (7) using bolt (E) with washer (B) .
- Insert all bolts before fully tightening with allen key (D) .

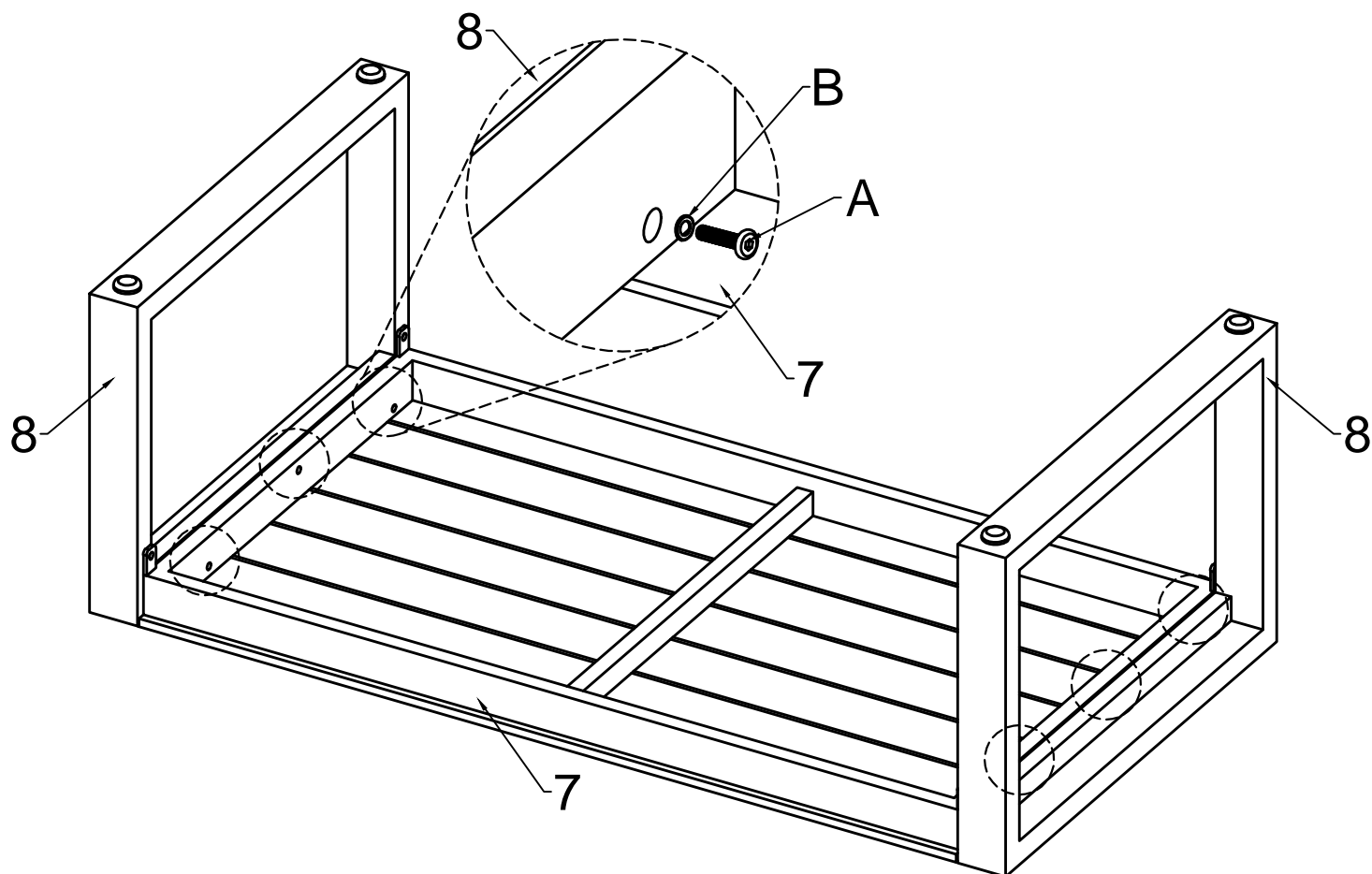


Step 2:

ITEMS REQUIRED

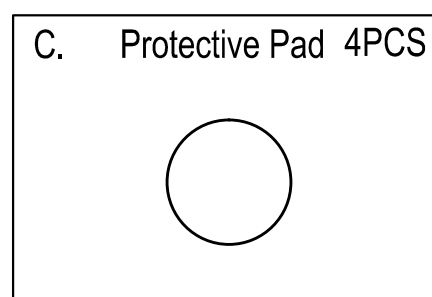
A. Bolt  M6*35*6PCS	B. Washer  M6*6PCS	D. Allen Key  M6*1PC
--	--	--

- Attach legs (8) to table top (7) using bolt (A) with washer (B) .
- Insert all bolts before fully tightening with allen key (D) .

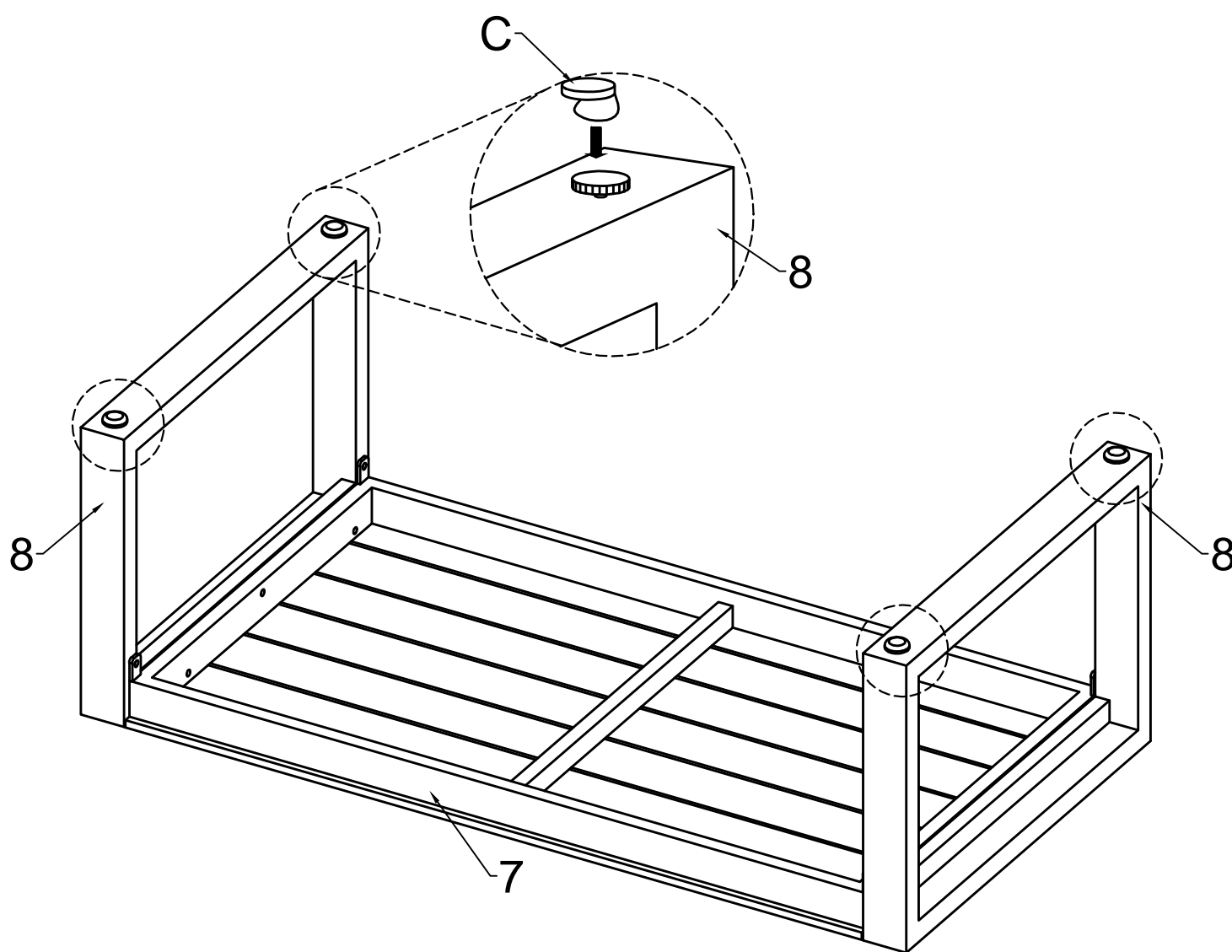


Step 3:

ITEMS REQUIRED



- Attach the protective pad (C) under the adjusting knob.

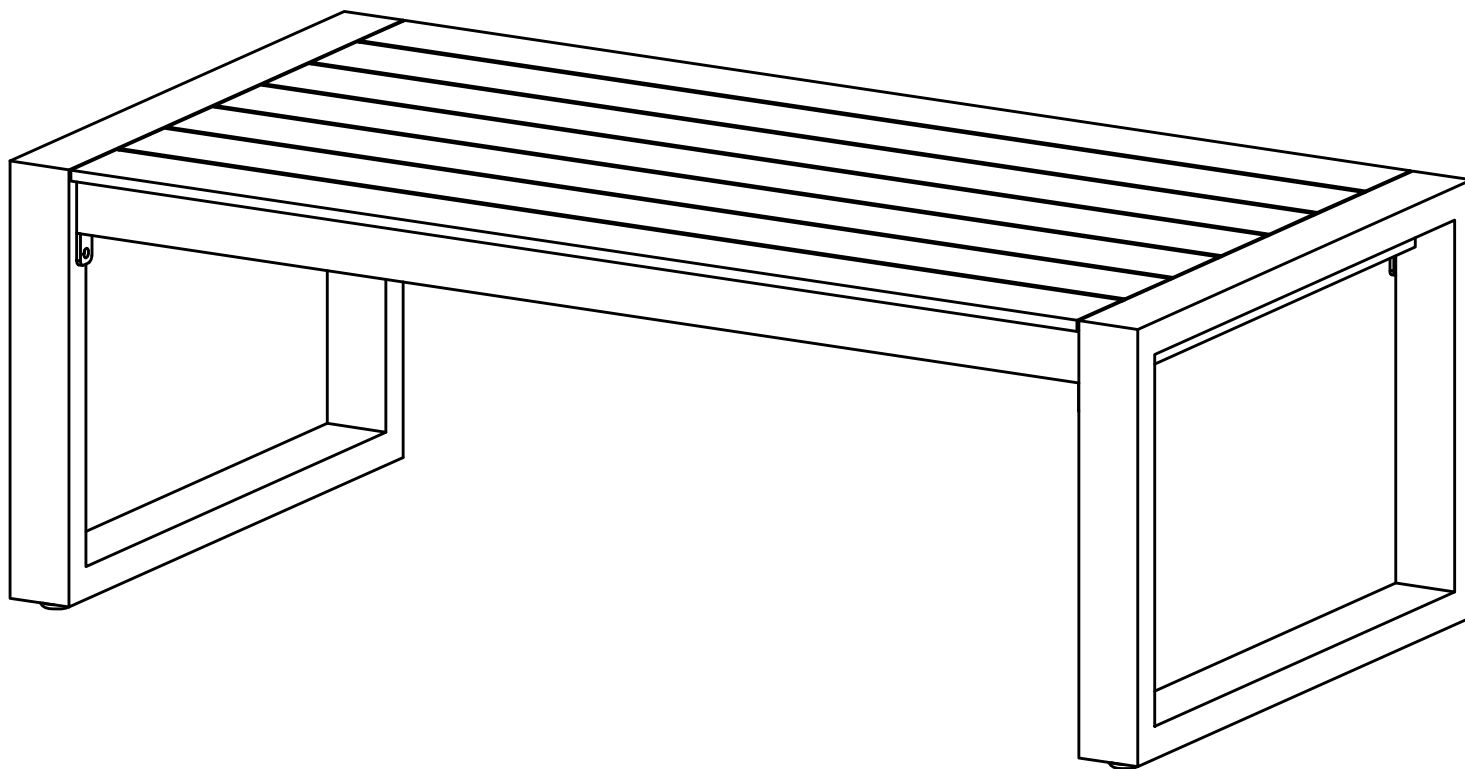


ASSEMBLY IS COMPLETE

DO NOT DRAG:

Do not drag the item as this may cause damage to the legs.

Instead, use 2 people to lift carefully and with caution from either end.



Care and maintenance



Aluminium

- ☒ Item is designed for use outdoors. However we do not recommend leaving this product outside when not in use. To preserve the life of this item, avoid prolonged exposure to the elements & store inside/under cover or use an outdoor cover.
- ☒ DO NOT allow the furniture to be left in the rain or left wet for extended periods of time.
- ☒ Wipe furniture Dry immediately after it becoming wet.
- ☒ DO NOT clean your furniture down with any harsh solvents, abrasives or chemicals.
- ☒ To remove dirt and grime, simply rinse with fresh water or periodically clean using a sponge and mild detergent solution as required

Cushions

- ☒ Direct exposure to the Sun's harmful UV rays is likely to cause rapid colour fading to fabrics. For best results we recommend avoiding exposure to direct sunlight
- ☒ To ensure product longevity it is recommended outdoor products are not left permanently exposed to the elements
- ☒ Spot clean using mild detergent and damp cloth. Dry flat in shade
- ☒ Do not unzip
- ☒ Do not put in washing machine
- ☒ Do not tumble dry
- ☒ Do not bleach
- ☒ Do not dry clean
- ☒ Cool iron only